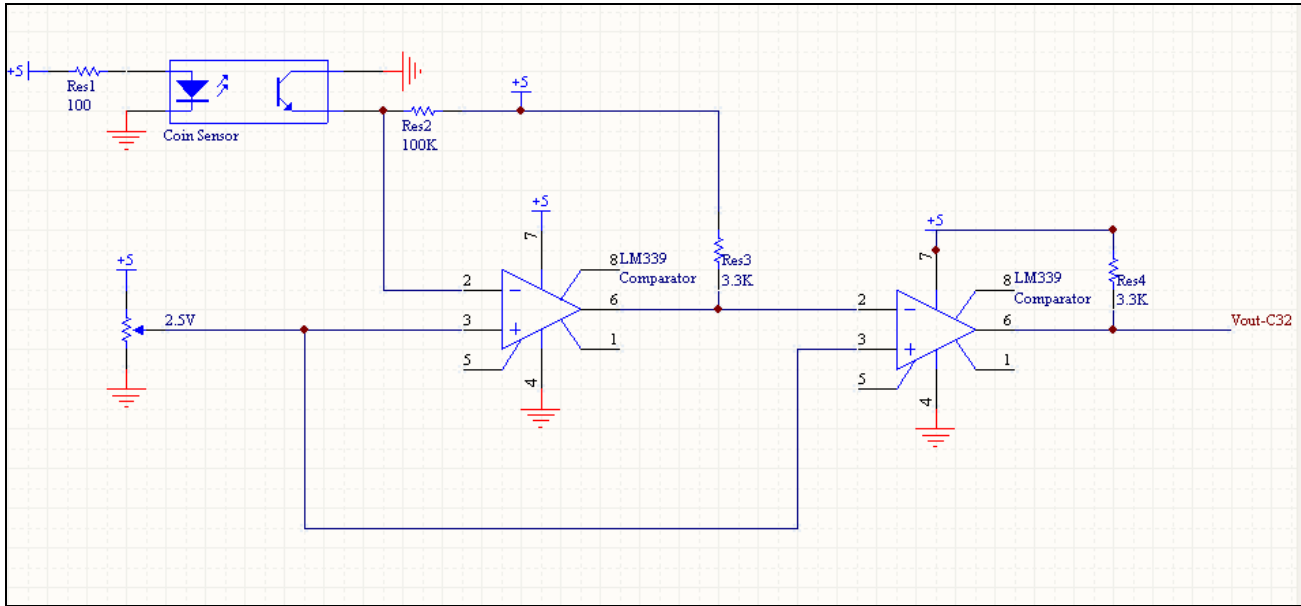
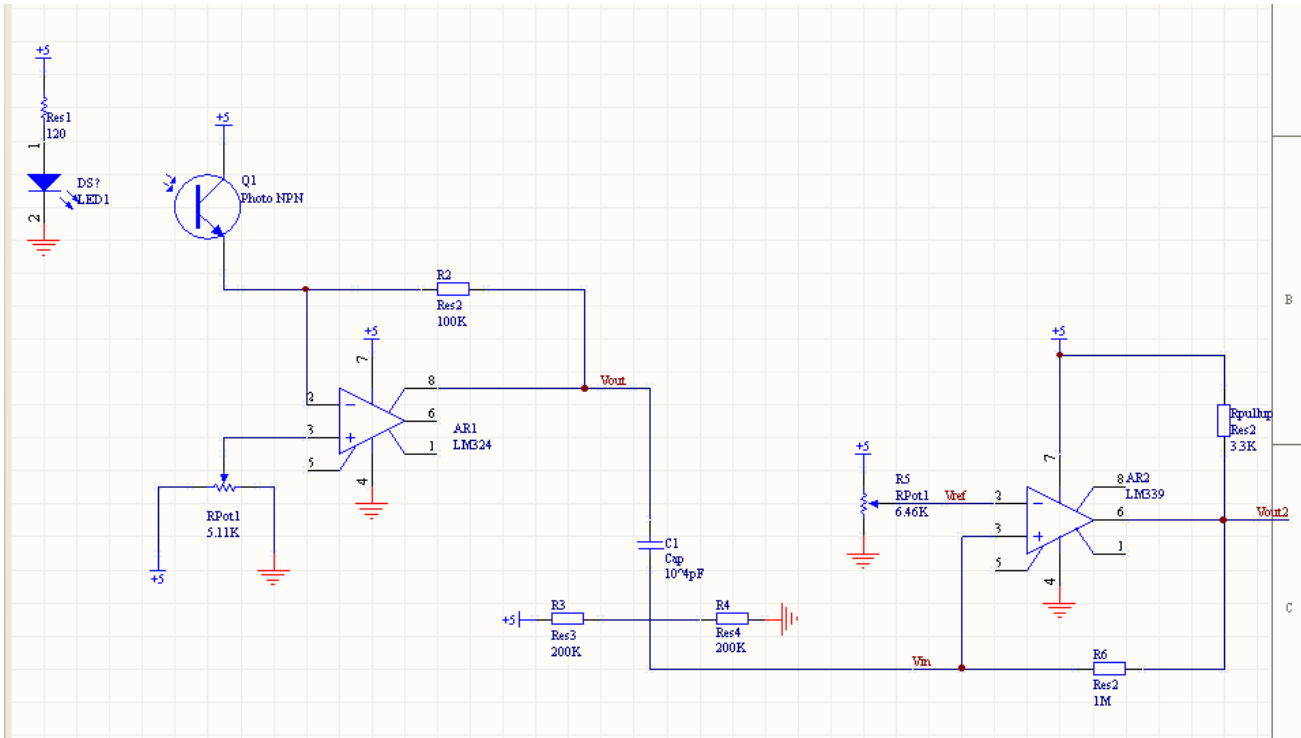


# Spinning Wheel Hardware Schematics

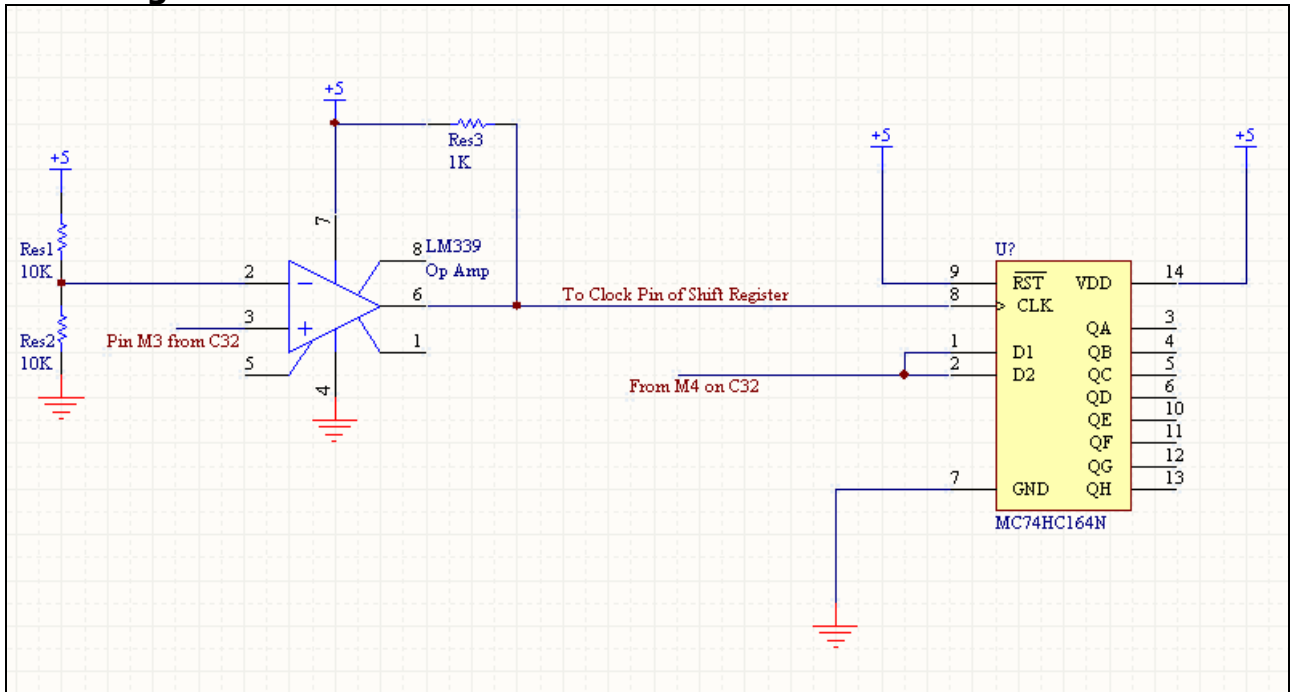
## Coin Detector Schematic



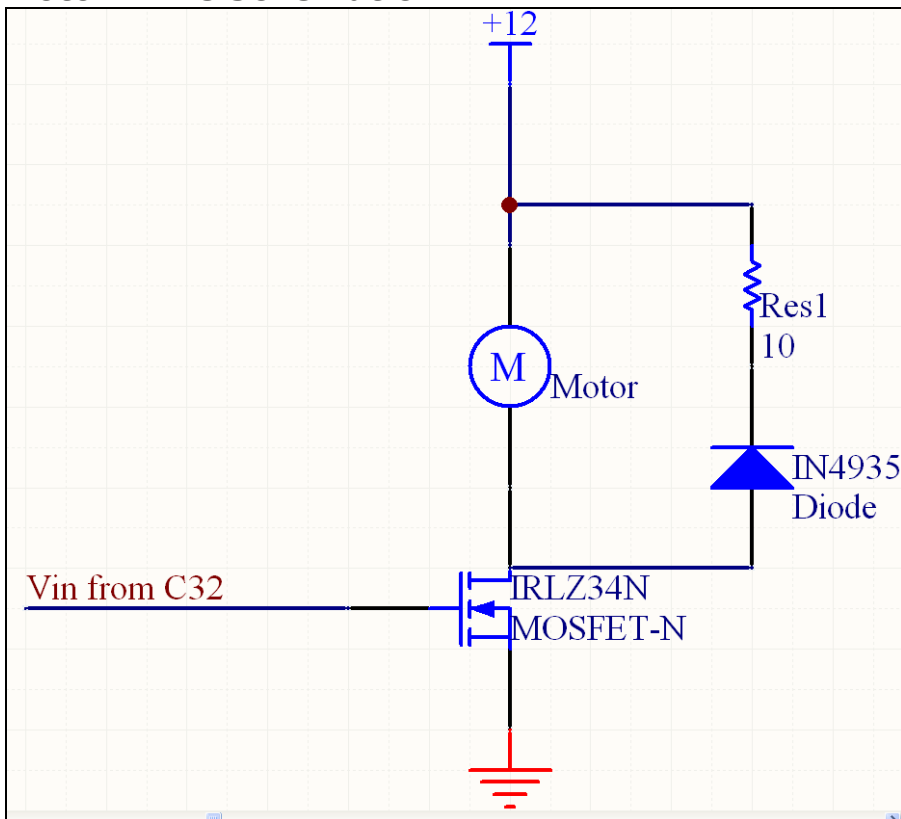
## Ball Detector Schematic



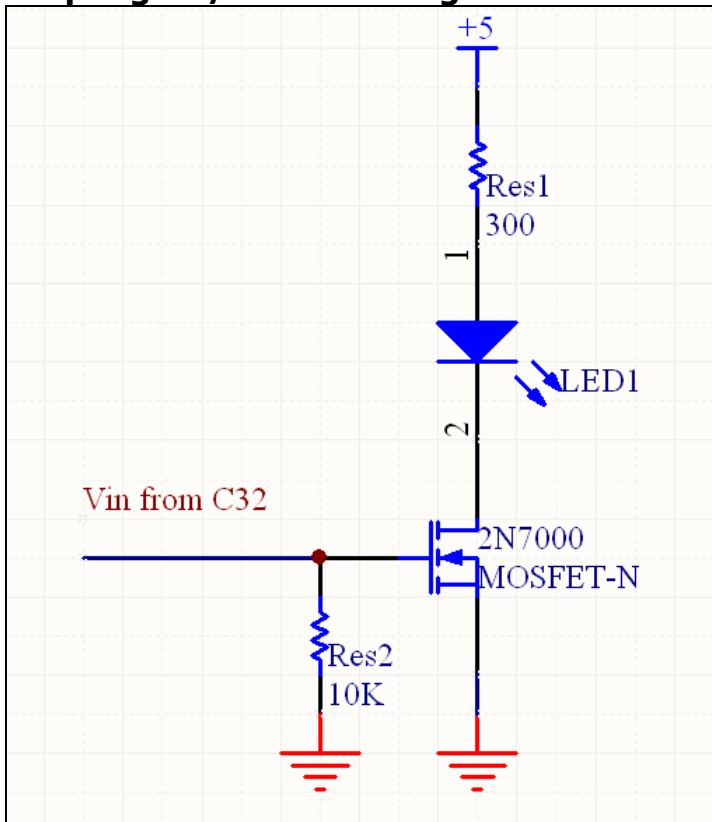
## Shift Register Schematic



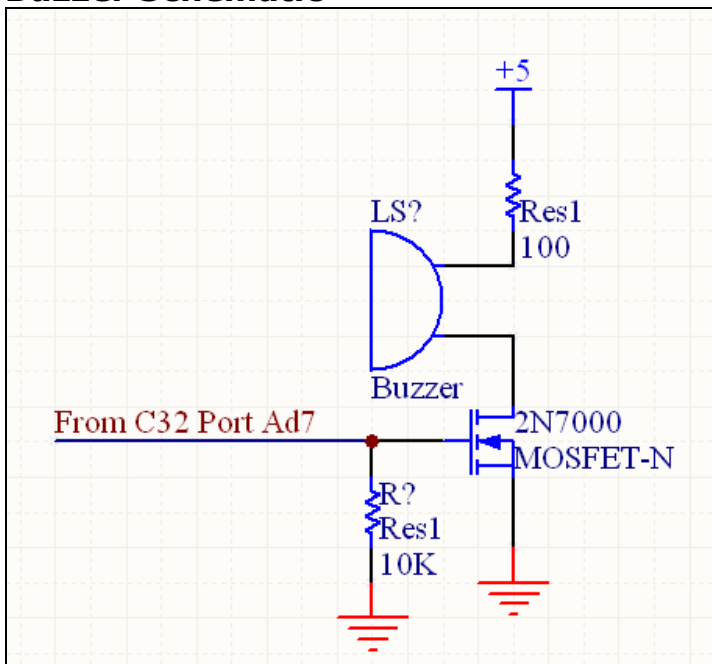
## Motor Drive Schematic



### Stop Lights/Indicator Lights Schematic



### Buzzer Schematic



**Servo Motor Drive Schematic**

